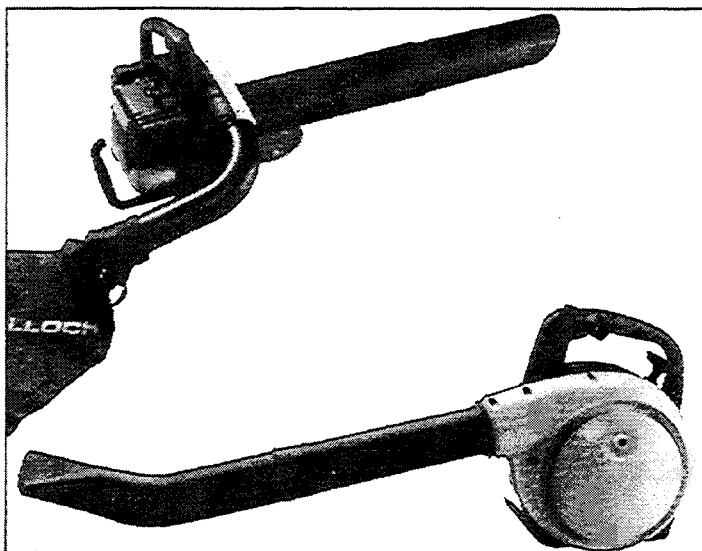


 **McCULLOCH**[®]

ILLUSTRATED PARTS LIST

MAC 320 BV

CE



April 1997

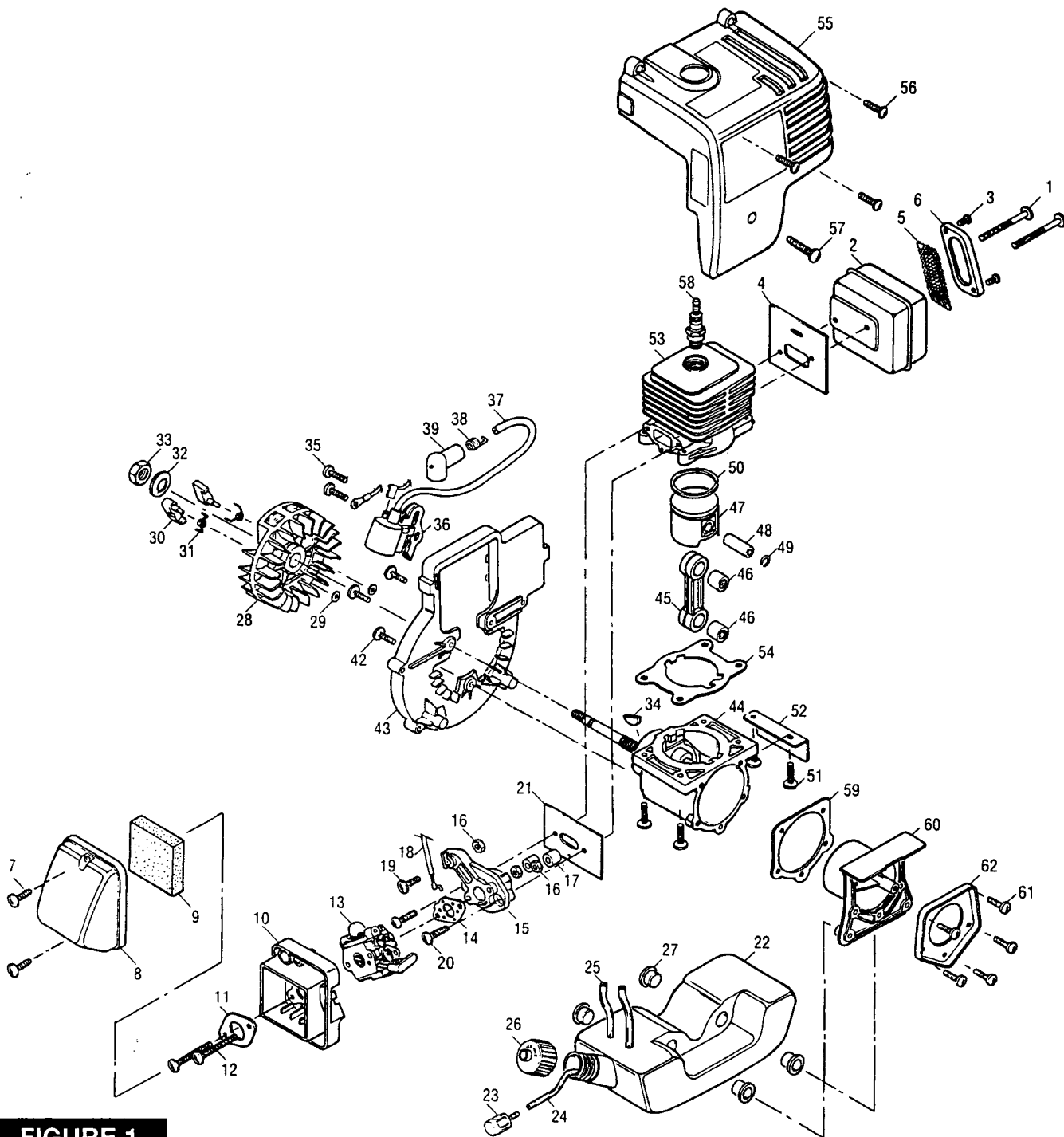


FIGURE 1

1	111159	2	C 22	302349	1	45	301982	1
C 2	224707	1	A 23	● 93720	1	C 46	● 91117	2
3	● -	2	B 24	● 225162	1	C 47	300663	1
C 4	● 322420	1	B 25	● 225163	1	48	● 300482	1
5	322413	1	B 26	● 223508	1	49	● 215876	2
6	322414-90	1	27	322105	4	B 50	● 224217	1
7	300294	2	28	301352-01	1	51	111065	4
8	322429-61	1	29	● 111086	2	52	322426-90	1
B 9	224239	1	B 30	● 322297	2	C 53	224706	1
10	322436-61	1	B 31	● 322835	2	B 54	● 224022	1
11	322425-90	1	32	111205	1	55	322432-61	1
12	218083	2	33	111085	1	56	300294	3
C 13	FIGURE 4		C 34	102164	1	57	218644	1
A 14	224148	1	35	111203	2	A 58	92879	1
15	322434	1	C 36	302138	1	C 59	224023	1
16	● 218315	3	37	● 223884	1	60	224024-01	1
17	● 322188	2	38	● 235433	1	61	111065	5
C 18	● 322409	1	39	● 235922	1	62	322437-90	1
19	● 219881	1	42	111067	3			
20	111203	2	43	322396	1			
C 21	323912	1	44	300798	1			

A = high moving - alta rotazione - haute demande - große Nachfrage B = medium moving - media rotazione - moyenne demande - mittelmäßige Nachfrage C = slow moving - bassa rotazione - basse demande - wenige Nachfrage

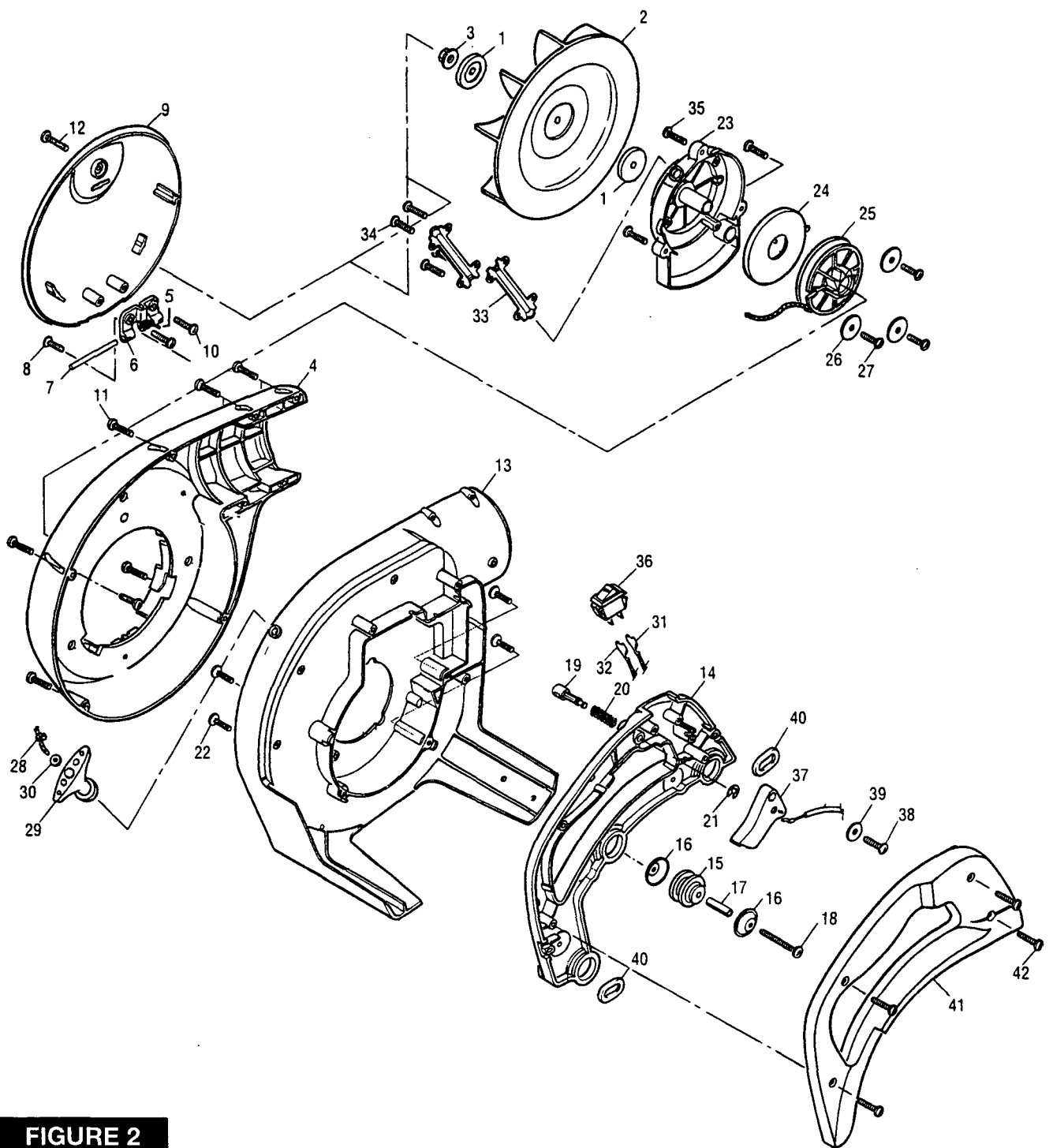
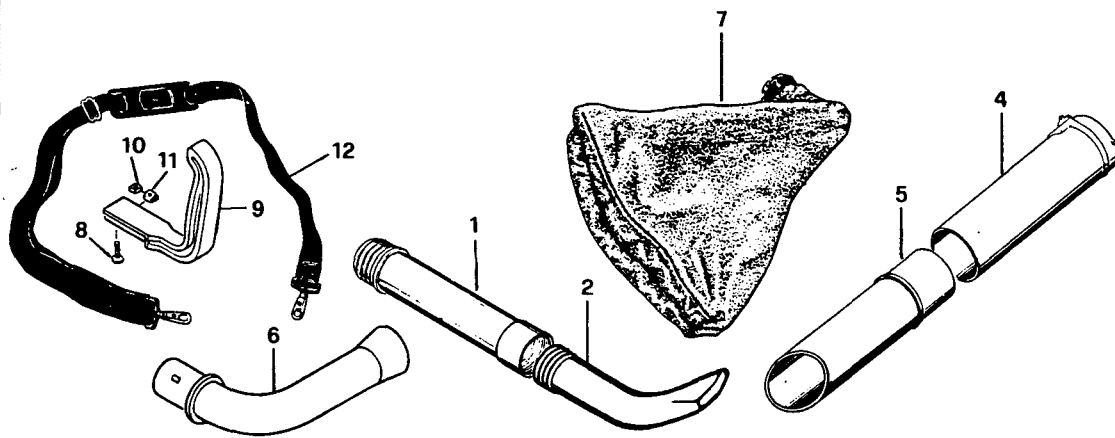


FIGURE 2

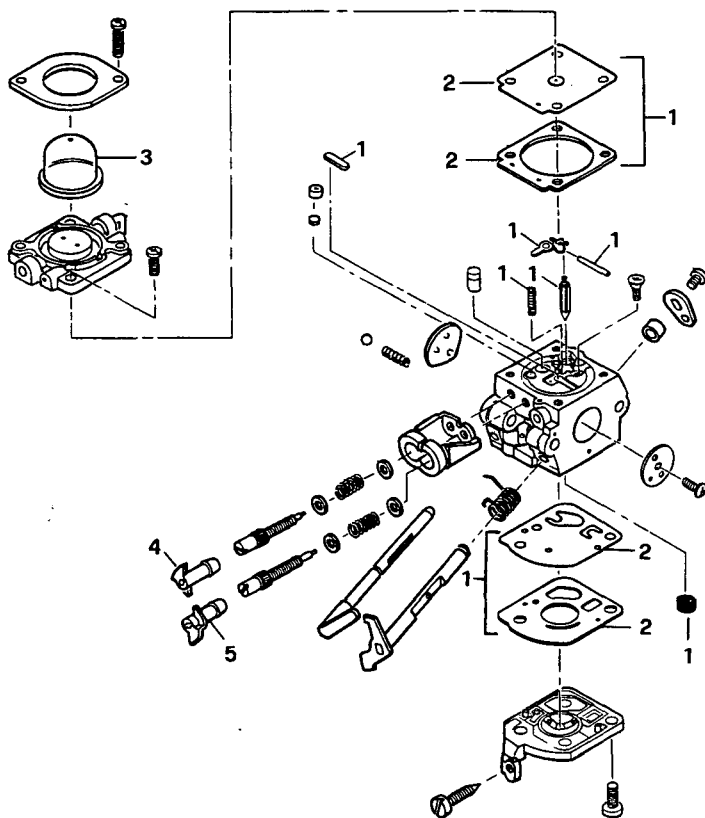
1	218655	2	22	111067	4
2	322433	1	C 23	224710	1
3	216640	1	B 24	● 300475	1
4	323781-60	1	B 25	● 300872	1
5	322438	1	26	● 322176	3
6	322411	1	27	● 300294	3
7	218538	1	A 28	● 323131	1
8	111055	1	29	216792	1
9	322401-60	1	30	218941	1
10	300294	2	31	302057	1
11	300294	8	32	302058	1
12	111203	1	33	322435	2
13	302060	1	34	300294	4
14	322412-61	1	35	300294	3
15	● 322399	3	C 36	223241	1
16	● 322398-90	6	37	322407	1
17	● 322175	3	38	300294	1
18	● 111093	3	39	300297	1
19	● 322408	1	40	218667	2
20	● 322430	1	41	322405-61	1
21	● 111195	1	42	300294	4



1	219173-02	1
2	324054	1
3	302433	1
4	● 223798	1
5	● 223799	1
6	● 322423	1
C 7	● 218660B	1
8	● 219881	2
9	● 224708	1
10	● 218005	2
11	● 300292	2
12	● 218666	1

FIGURE 3

ZAMA C1U M35A



C	—	322410-01	carbur.
B	1	● 224711	1
A	2	● 300472	1
C	3	● 223756	1
	4	● 323603	1
	5	● 323604	1

FIGURE 4

A = high moving - alta rotazione - haute demande - große Nachfrage
 B = medium moving - media rotazione - moyenne demande - mittelmäßige Nachfrage
 C = slow moving - bassa rotazione - basse demande - wenige Nachfrage